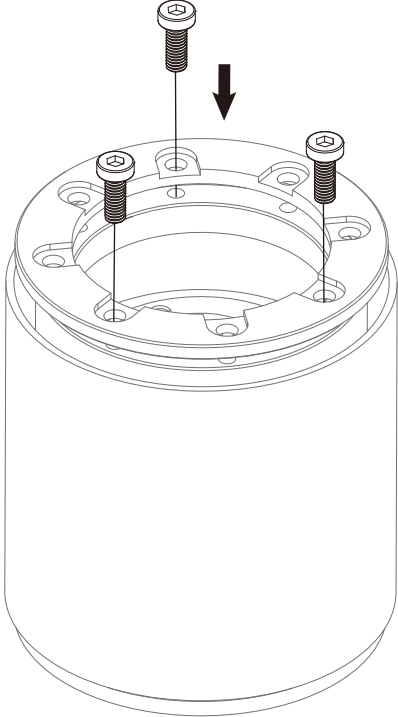




Giant Puller 1.9" Beadlock Wheels Instruction Manual

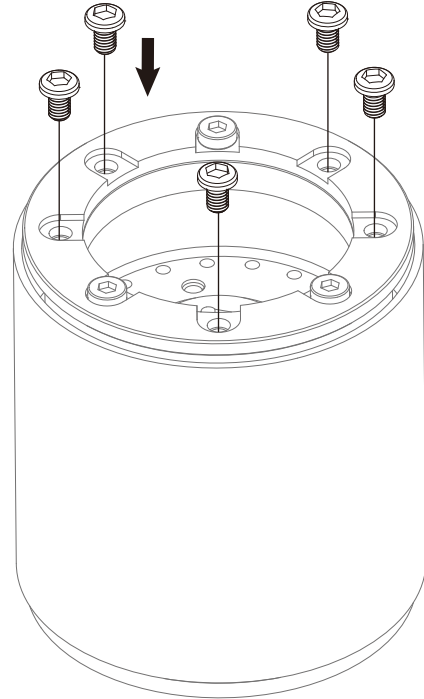
Step 1.

Use the hex driver to install the three M3x8mm SHCS screws. (These are place holder screws to make assembly easier. They will be removed in step 3)



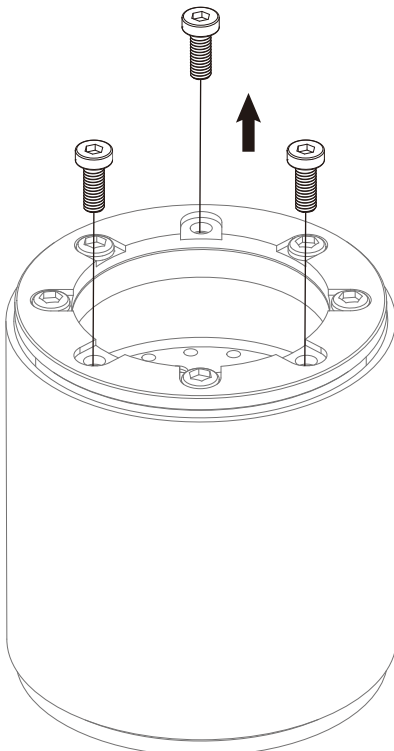
Step 2.

Use the hex driver to install the five M3x5mm BHCS screws.



Step 3.

Remove the three M3x8mm SHCS screws.



Step 4.

Use the hex driver to install the three M3x5mm BHCS screws.

